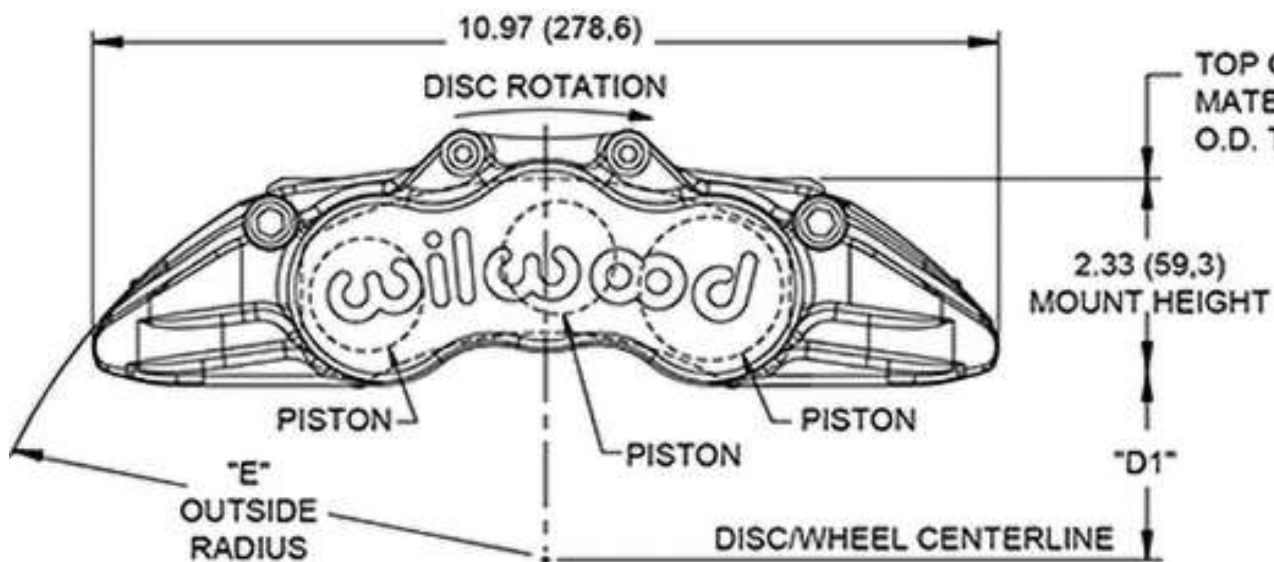


DISC WIDTH	"B" MOUNT OFFSET
1.25 (31.8)	2.02 (51.4) ¹
1.38 (35.1)	2.02 (51.4) ¹
1.25 (31.8)	2.22 (56.5) ²
1.38 (35.1)	2.22 (56.5) ²

DISC DIAMETER	"E" OUTSIDE RADIUS
12.19 (309.6)	6.97 (177.0)
12.88 (327.1)	7.21 (183.1)
13.06 (330.7)	7.28 (184.9)

DIMENSION "D1" = (DISC DIAMETER/2) - 2.33 (59,3)
 RIGHT HAND CALIPER SHOWN
 INLET FITTING: 1/8-27 NPT



TOP OF FRICTION MATERIAL AND DISC O.D. TO BE FLUSH

